



ATECMAA
PACKAGING

GX 3.10

Automatic cycle and engine powered pre-stretched stretch wrapping machine

For machine stretch film:

Maximum optimization of consumables, high return on investments and sustainable development

Exceptional wrapping quality including unsteady loads

Fast and easily slideable film

Engine powered pre-stretching rate up to 250 %

Easy use

- Simple control pannel: On/Off (réglages verrouillables)
- Height of the pallet: up to 2400 mm (standard)
- Automatic detection of the height of the pallet
- Progressive start of the turntable
- Electromagnetic brake (patent pending)
- 20 to 200 pallets/day
- Embedding belt: optional
- Weigh integrated scale within the wrapping time: optional



Flexibility of the logistics : plug in to a simple 230 V single phase + earth

Any type of stretch machine films up to 23 µ thick available on the market

TECHNOLOGIES ET PROCESS D'EMBALLAGE

32, rue de Charette • 28140 TERMINIERS - FRANCE
Tél : 33 (0)2 37 18 58 13 - Fax : 33 (0)2 37 32 11 34 ou 33 (0)2 37 32 14 22
www.rassinouxa.com - Commercial production : clients@rassinouxa.com
Comptabilité : compta.mf@rassinouxa.com - Qualité : qualite@rassinouxa.com

RASSINOUX - SA au capital de 1 372 754 € - SIRET 353 267 446 00014 - APE 284B - FR 41 353 267 446 - RCS 353 267 446 Chartres



ATECMAA
PACKAGING

GX 3.10

Automatic cycle and engine powered pre-stretched stretch wrapping machine

TECHNICAL FEATURES:

- Installed power:	1.4 KW
- Power:	230V Single phase 50hz + earth
- Manufacture:	IP54

Dimensions:

- Length :	2565 mm / 2615 mm*
- Width:	1976 mm / 2026 mm*
- Overall height:	2900 mm / 3400 mm*
- Weight:	480 Kg (or 550 kg*)

Accepted dimensions of the pallets:

- Length:	1200 mm
- Width:	800 or 1000 mm (or 1200 mm*)
- Height:	2400 (or 2900 mm**)
- Maximum load:	1500 Kg

ASSEMBLED PARTS OF THE MACHINE:

- **Column:** folded sheet metal made.

- *Maximum pallet + load wrapping height:* **2572 mm or 3072 mm****

- **bobbin trail** powered by a motor-reducer with a frequency converter, drive with pitch chain.

- Fixed speed
 - Detectors to stop at the top and the bottom
 - Cell for automatic detection of the height of the pallet
 - Safety device at the bottom of the bobbin rail, no risk for the operator of being crushed
 - Engine powered pre-stretching, fixed rate at 250 %, 200% or 150 % made by fixed gear or chain
 - A load control system enables to have a uniform strength of application all around the wrapped load
 - Tightens automatically thanks to a patented bobbin barke (optional) or electromagnetic brake adjustable by a potentiometer
- **Lowered turntable**, protected by a peripheral belt



- Height:	79 mm
- Diameter:	1600 mm (or 1750 mm optional)

Powered by motor-reducer, drive with 15.8 mm pitch chain

Speed progressively lowers at the « stop phase »

Designed to be moved with a forklift truck (except for non standard turntables with diameters of 2000 and 2400 mm)

Drive with 15.8 mm pitch chain

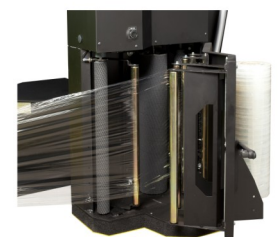
Polyamide peripheral roller bearings

A tooth disc supported roller bearing for combined loads

- **IP level of protection:** IP 54 (motor-reducer IP 55)

- Colour anthracite grey RAL 7016. Yellow turntable RAL 1018

- Polymerized epoxy polyester painting, 80 to 100 µ with anti-corrosion treatment



TECHNOLOGIES ET PROCESS D'EMBALLAGE

32, rue de Charette • 28140 TERMINIERS - FRANCE

Tél : 33 (0)2 37 18 58 13 - Fax : 33 (0)2 37 32 11 34 ou 33 (0)2 37 32 14 22

www.rassinouxa.com - Commercial production : clients@rassinouxa.com

Comptabilité : compta.mf@rassinouxa.com - Qualité : qualite@rassinouxa.com



ATECMAA
PACKAGING

GX 3.10

Automatic cycle and engine powered pre-stretched stretch wrapping machine

HOW TO USE:

- Load the pallet on the turntable
- Start the cycle
- Wrapping phase starts according to the chosen settings.
- End of the cycle with the pallet positionned for next start.
- Film cut by hand and pre-fixing on the turntable
- Load a new pallet



TYPES OF FILM: Any kind of machine stretch film up to 23 µ thick (width 50 to 500 mm – diameter of the bobbin 250 mm, diameter of the mandrel 76 mm)

OPTIONAL: * turntable with a diameter of 1750 mm, ** reheightened column 500 mm, *** weigh integrated scale within the wrapping time, **** ramp or embedding belt

USE:

	Functions	« standard » Programmes	Optional
Cycles	Full cycle (wrapping while rising and lowering)	<input checked="" type="checkbox"/>	
	Half – cycle (wrapping while rising only)	<input checked="" type="checkbox"/>	
	Full cycle with application of the top sheet (stops at the top of the pallet to apply the sheet)	<input checked="" type="checkbox"/>	
Film stretching	Electromagnetic brake	<input checked="" type="checkbox"/>	
Speed of the turntable	Adjustable	<input checked="" type="checkbox"/>	
Speed of the bobbin trail	Adjustable	<input checked="" type="checkbox"/>	
N° of rev. at the bottom	Adjustable	<input checked="" type="checkbox"/>	
N° of rev at the top	Adjustable	<input checked="" type="checkbox"/>	

These levels enable wrapping of most types of loads.

TECHNOLOGIES ET PROCESS D'EMBALLAGE

32, rue de Charette • 28140 TERMINIERS - FRANCE
 Tél : 33 (0)2 37 18 58 13 - Fax : 33 (0)2 37 32 11 34 ou 33 (0)2 37 32 14 22
www.rassinouxa.com - Commercial production : clients@rassinouxa.com
 Comptabilité : compta.mf@rassinouxa.com - Qualité : qualite@rassinouxa.com

RASSINOUX - SA au capital de 1 372 754 € - SIRET 353 267 446 00014 - APE 284B - FR 41 353 267 446 - RCS 353 267 446 Chartres

Concepteur Fabricant Français

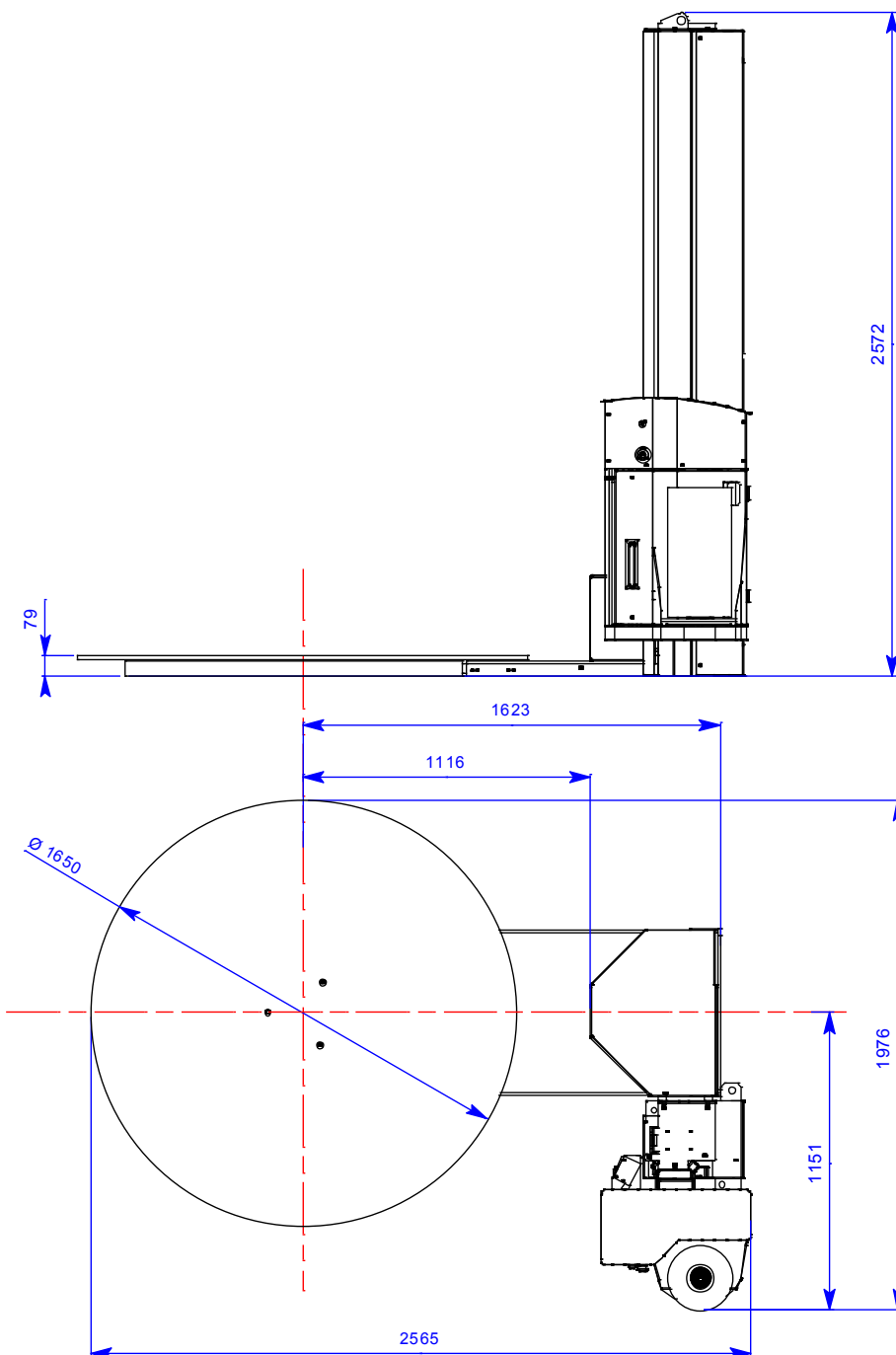


ATECMAA
PACKAGING

GX 3.10

Automatic cycle and engine powered pre-stretched stretch wrapping machine

DIMENSIONS:



European made machines in compliance with the applicable EU regulations (CE)

NON CONTRACTUAL DOCUMENT :

Considering the evolution of the machines, we may change at any time our products, dimensions texts and drawings, without any prior notice

The complete or partial reproduction without express permission is prohibited.

TECHNOLOGIES ET PROCESS D'EMBALLAGE

32, rue de Charette • 28140 TERMINIERS - FRANCE
 Tél : 33 (0)2 37 18 58 13 - Fax : 33 (0)2 37 32 11 34 ou 33 (0)2 37 32 14 22
 www.rassinouxa.com - Commercial production : clients@rassinouxa.com
 Comptabilité : compta.mf@rassinouxa.com - Qualité : qualite@rassinouxa.com